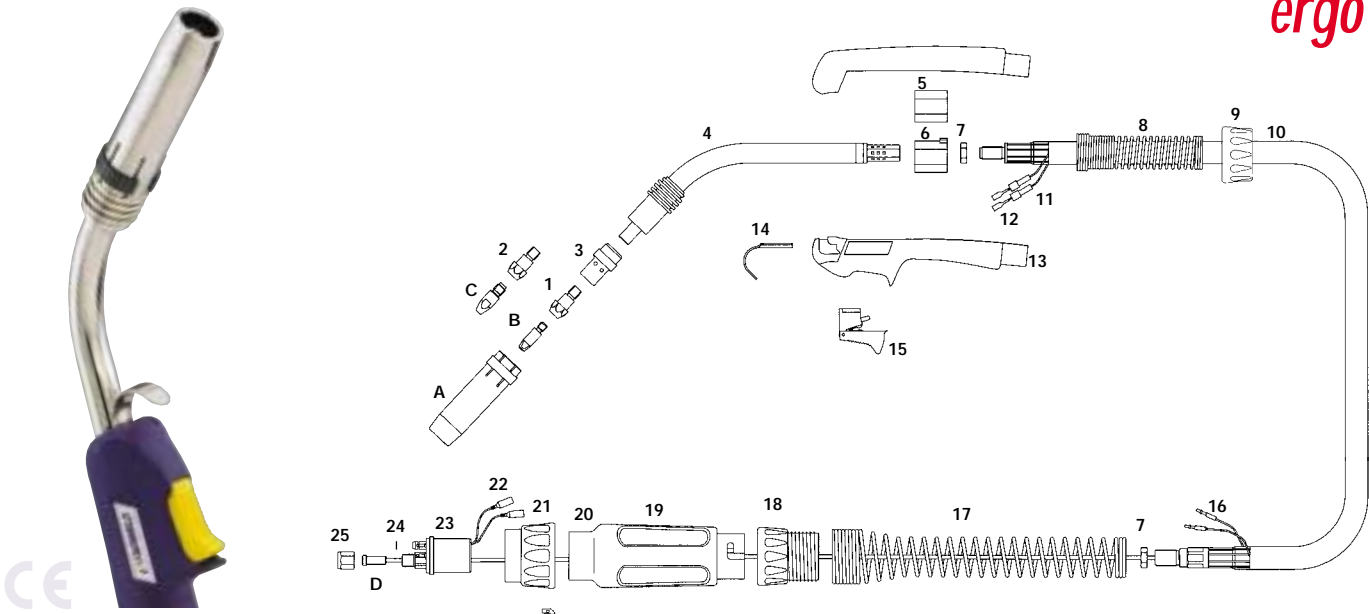


SB 360A Air Cooled MIG Welding Torch

Rating: 300A CO₂ 270A mixed gas, EN60974-7 @ 60% duty cycle. 0.8 to 1.2mm wires

ergo



Model			
Description	Part Number		
	10 ft	12 ft	15 ft
Welding Torch c/w Ergo handle	B3600-30ER	B3600-40ER	B3600-50ER
Welding Torch c/w Bladeswitch handle	B3600-30EB	B3600-40EB	B3600-50EB
Welding Torch c/w Microswitch handle	B3600-30EM	B3600-40EM	B3600-50EM

Nozzles	
Part Number	Description
A B3615	Cylindrical Nozzle
B3616*	Conical Nozzle
B3617	Tapered Nozzle

Contact Tips	
Part Number	Description
B B2504-10	Contact Tip .040"/1.0mm M6 Ecu
B2504-12*	Contact Tip .045"/1.2mm M6 Ecu
B2505-10	Contact Tip .040"/1.0mm M6 CuCrZr
B2505-12	Contact Tip .045"/1.2mm M6 CuCrZr
C B4014-10	Contact Tip .040"/1.0mm M8 Ecu
B4014-12	Contact Tip .045"/1.2mm M8 Ecu
B4015-10	Contact Tip .040"/1.0mm M8 CuCrZr
B4015-12	Contact Tip .045"/1.2mm M8 CuCrZr

Liners	
Part Number	Description
D B2524-30*	Steel Liner .040"- .045"/1.0-1.2mm X 3mt
B2524-40*	Steel Liner .040"- .045"/1.0-1.2mm X 4mt
B2524-50*	Steel Liner .040"- .045"/1.0-1.2mm X 5mt
B2513-30	Teflon Liner .040"- .045"/1.0-1.2mm X 3mt
B2513-40	Teflon Liner .040"- .045"/1.0-1.2mm X 4mt
B2513-50	Teflon Liner .040"- .045"/1.0-1.2mm X 5mt

Components		
Part Number	Description	
1 B3612	Tip Adaptor 28.5mm M6	
2 B3613	Tip Adaptor 31.5mm M6	
B3614	Tip Adaptor 28.5mm M8	
3 B3605B	Diffuser Black	
B3605C*	Diffuser Ceramic	
B3605W	Diffuser White	
4 B3603	Swan Neck	
5 B1515	Location Body	
6 B1515/ER	Ergo Handle Location Body	
7 B1505	Lock Nut	
8 B8018	Handle Spring	
9 B8004	Handle Lock Nut	
10 B3609-30	Hyperflex Cable Assembly X 3mt	
B3609-40	Hyperflex Cable Assembly X 4mt	
B3609-50	Hyperflex Cable Assembly X 5mt	
11 B1521-C	Cable Terminal Cover	
12 B1521	Cable Terminal	
13 B2514	Ergo Handle Kit c/w Lock Nut	
14 B2517	Hanger Hook	
15 B2516	Medium / Large Ergo Trigger	
16 B1522	Cable Terminal Male	
17 B8026	Spring Cable Support	
18 B8028	Cable Support Nut	
19 B1518	Gun Plug Housing c/w Nut	
20 B1526	Gun Plug Screw	
21 B1519	Gun Plug Nut c/w insert	
22 B1523	Gun Plug Terminal	
23 B1528	Gun Plug Body c/w Spring Pins	
24 B1524	Gun Plug 'O' Ring	
25 B1525	Liner Nut	

* Denotes Standard Build